

NEWTON'S CHUNKY SUPERWASH MERINO CARDIGAN

YARN: Newton's Yarn Country CHUNKY SUPERWASH MERINO, 820/915/1,000 yards.

GAUGE: Using size 7-9 needle 4-5 sts per inch

SIZE: XS/S (36in) / M/L (40in) / XL (44in)

FINISHED LENGTH: 21 inches

ABBREVIATIONS:

sts=Stitches

STITCH PATTERN:

Knit stockinette: *Knit 1 row, Purl 1 row*. Repeat from * to *.



BACK:

Step	Action	XS/S	M/L	XL	Pattern Notation
1	Cast on	72 sts	80 sts	88 sts	
2	Knit stitch pattern to	Row 82	Row 80	Row 76	Hang marker
3	Knit stitch pattern to	Row 114	Row 114	Row 114	
4	Bind off	Row 114	Row 114	Row 114	

LEFT FRONT:

Step	Action	Small	Medium	Large	Pattern Notation
1	Cast on	36 sts	40 sts	44 sts	
2	Knit stitch pattern to	Row 82	Row 80	Row 76	Hang marker
3	Knit stitch pattern to	Row 95	Row 93	Row 91	
4	Beginning on next row	Decrease 5	Decrease 5	Decrease 6	
5	Knit stitch pattern to	Row 97	Row 95	Row 93	
6	Beginning on next row	Decrease 2	Decrease 2	Decrease 2	
7	Knit stitch pattern to	Row 99	Row 97	Row 95	
8	Beginning on next row	Decrease 2	Decrease 2	Decrease 2	
9	Knit stitch pattern to	Row 101	Row 99	Row 97	
10	Beginning on next row	Decrease 1	Decrease 2	Decrease 2	
11	Knit stitch pattern to	Row 105	Row 101	Row 101	
12	Beginning on next row	Decrease 1	Decrease 2	Decrease 2	
13	Knit stitch pattern to	Row 107	Row 105	Row 105	
14	Beginning on next row	Decrease 1	Decrease 1	Decrease 2	
	Total neck sts decreased	Total 12 sts	14 sts	16 sts	
	Remaining shoulder sts	24 sts	26 sts	28 sts	
15	Knit stitch pattern to	Row 114	Row 114	Row 114	
16	Bind off shoulder sts	24 sts	26 sts	28 sts	



Newton's Yarn Country (714) 634-9116
 2100 E. Howell Ave, Suite 211, Anaheim, Ca 92806 USA
www.newtons.com Email: newtonknits@aol.com

Every effort has been made to have the knitting instructions accurate and complete. We cannot be responsible for variance of individual knitters, human errors, or typographical mistakes.

(© 2012 Newton's Yarn Country. All rights reserved.).

NEWTON'S CHUNKY SUPERWASH MERINO CARDIGAN

RIGHT FRONT:

Step	Action	Small	Medium	Large	Pattern Notation
1	Cast on	36 sts	40 sts	44 sts	
2	Knit in pattern to	Row 83	Row 81	Row 77	Hang marker
3	Knit in pattern to	Row 96	Row 94	Row 92	
4	Beginning on next row	Decrease 5	Decrease 5	Decrease 6	
5	Knit in pattern to	Row 98	Row 96	Row 94	
6	Beginning on next row	Decrease 2	Decrease 2	Decrease 2	
7	Knit in pattern to	Row 100	Row 98	Row 96	
8	Beginning on next row	Decrease 2	Decrease 2	Decrease 2	
9	Knit in pattern to	Row 102	Row 100	Row 98	
10	Beginning on next row	Decrease 1	Decrease 2	Decrease 2	
11	Knit in pattern to	Row 104	Row 102	Row 100	
12	Beginning on next row	Decrease 1	Decrease 2	Decrease 2	
13	Knit in pattern to	Row 108	Row 106	Row 104	
14	Beginning on next row	Decrease 1	Decrease 1	Decrease 2	
	Total neck sts decreased	Total 12 sts	14 sts	16 sts	
	Remaining shoulder sts	24 sts	26 sts	28 sts	
15	Knit in pattern to	Row 114	Row 114	Row 114	
16	Bind off shoulder sts	24 sts	26 sts	28 sts	

SLEEVES: (Knit 2)

Step	Action	Small	Medium	Large	Pattern Notation
1	Cast on	48 sts	52 sts	56 sts	
2	Knit stitch pattern to	Row 76	Row 76	Row 76	
4	Bind off	Row 76	Row 76	Row 76	

ASSEMBLY:

1. Sew front shoulder seams to back shoulders
2. Attach sleeves between markers on front and back.
3. Sew underarm and side seams.
4. On right side, pick up 70 sts (68 sts, 66 sts) along front edge. Knit 1 row, bind off.
5. Repeat on other front edge.
6. On right side, pick up 48 sts (50 sts, 52 sts) along neck edge (both fronts and back neck). Knit 1 row, bind off.
7. Weave in ends.



Newton's Yarn Country (714) 634-9116
 2100 E. Howell Ave, Suite 211, Anaheim, Ca 92806 USA
www.newtons.com Email: newtonknits@aol.com

Every effort has been made to have the knitting instructions accurate and complete. We cannot be responsible for variance of individual knitters, human errors, or typographical mistakes.

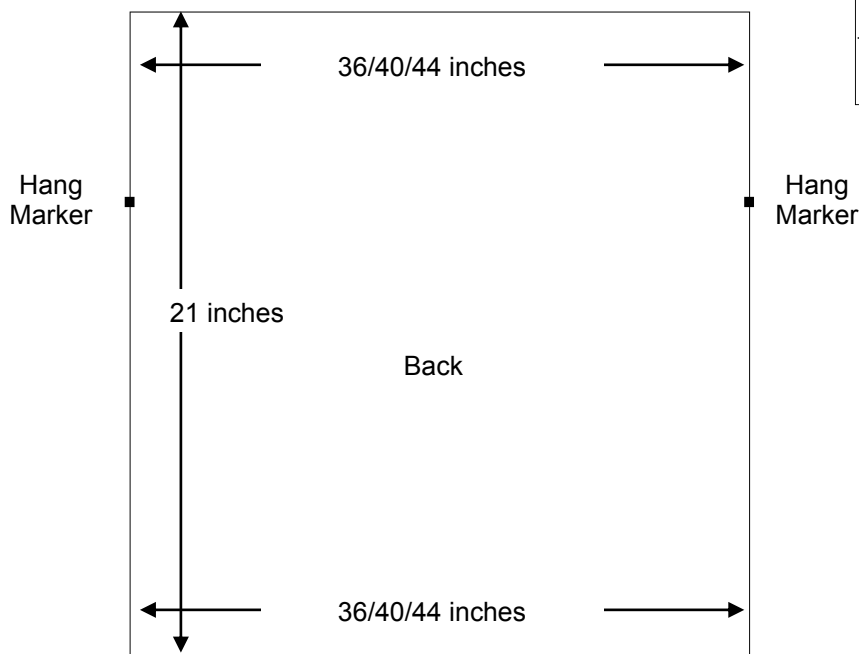
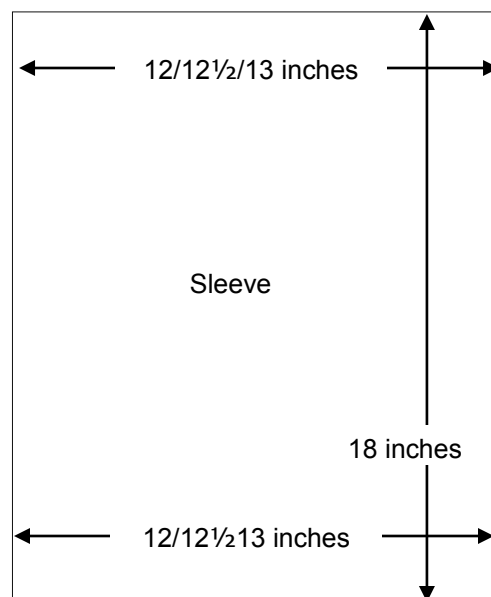
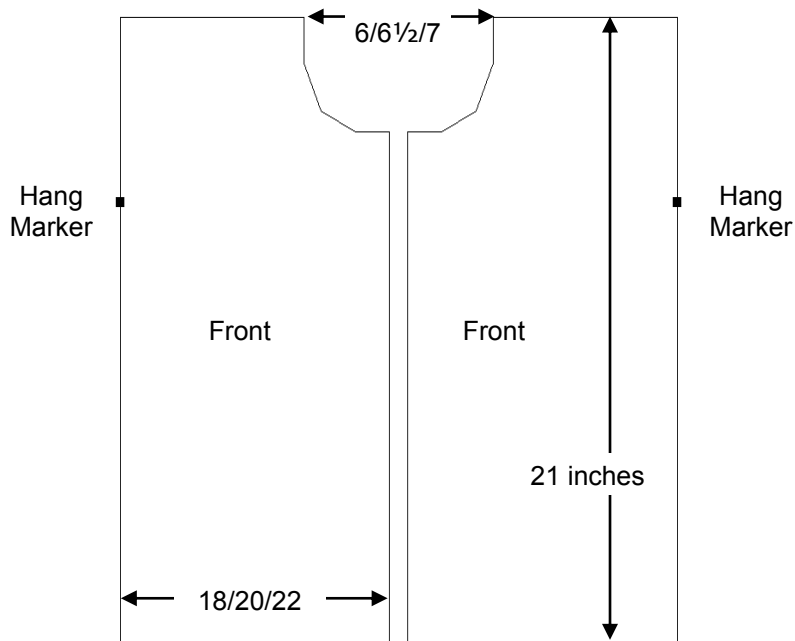
NEWTON'S CHUNKY SUPERWASH MERINO CARDIGAN

YARN: Newton's Yarn Country CHUNKY SUPERWASH MERINO, 820/915/1,000 yards.

GAUGE: Using size 7-9 needle 4-5 sts per inch

SIZE: XS/S (36in) / M/L (40in) / XL (44in)

FINISHED LENGTH: 21 inches



Newton's Yarn Country (714) 634-9116
2100 E. Howell Ave, Suite 211, Anaheim, Ca 92806 USA
www.newtons.com Email: newtonknits@aol.com

Every effort has been made to have the knitting instructions accurate and complete. We cannot be responsible for variance of individual knitters, human errors, or typographical mistakes.

(© 2012 Newton's Yarn Country. All rights reserved.)

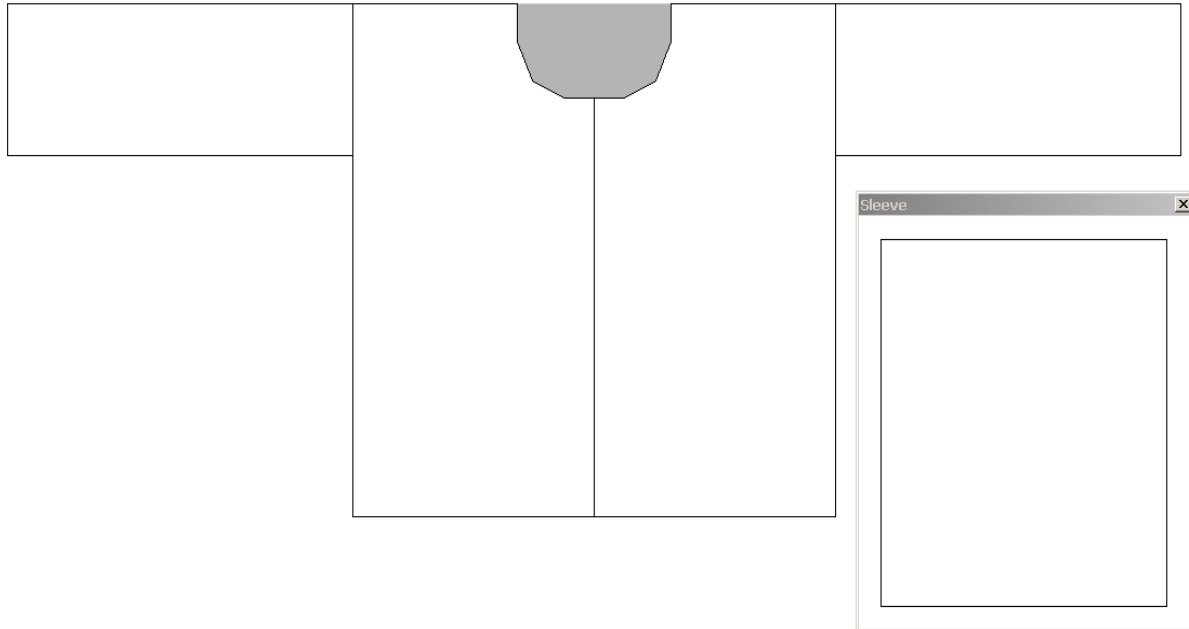
NEWTON'S CHUNKY SUPERWASH MERINO CARDIGAN

YARN: Newton's Yarn Country CHUNKY SUPERWASH MERINO, 820/915/1,000 yards.

GAUGE: Using size 7-9 needle 4-5 sts per inch

SIZE: XS/S (36in) / M/L (40in) / XL (44in)

FINISHED LENGTH: 21 inches



MACHINE KNIT SUPPLIEMENT

1. Knit back as instructions.
2. Knit left and right front as instructions.
3. With back and front right sides facing together, seam left and right shoulders together.
4. With purl side facing you, hang shoulder at - 0 -.
5. Hang left stitch marker on needle L24/L26/L28.
6. Hang right stitch marker on needle R24/R26/R28.
7. Continue hanging knit edge onto needles between marker stitch and shoulder stitch.
8. Bring all working needles into D/E position.
9. RC000. Knit 1 row.
10. RC001, bring all working needles into D/R position, knit 1 row.
11. Knit to RC076.
12. Latch tool Bind off.
13. Repeat for opposite sleeve.
14. Sew underarm and side seams together.
15. With right side facing you, hang neck edge (front and back neck edge). Bring all working needles into D/E position, knit 1 row, bind off.
16. With right side facing you, hang center front edge onto 66/68/70 sts. Knit 1 row, bind off.
17. Repeat on other front edge.
18. Weave in ends.



Newton's Yarn Country (714) 634-9116
2100 E. Howell Ave, Suite 211, Anaheim, Ca 92806 USA
www.newtons.com Email: newtonknits@aol.com

Every effort has been made to have the knitting instructions accurate and complete. We cannot be responsible for variance of individual knitters, human errors, or typographical mistakes.

(© 2012 Newton's Yarn Country. All rights reserved.).